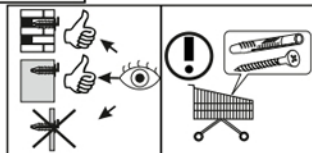
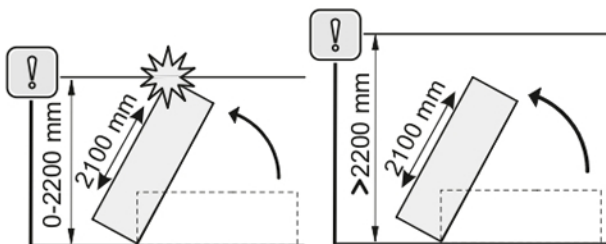
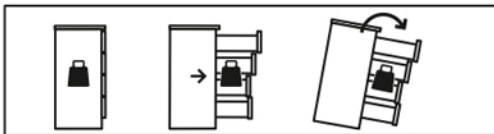
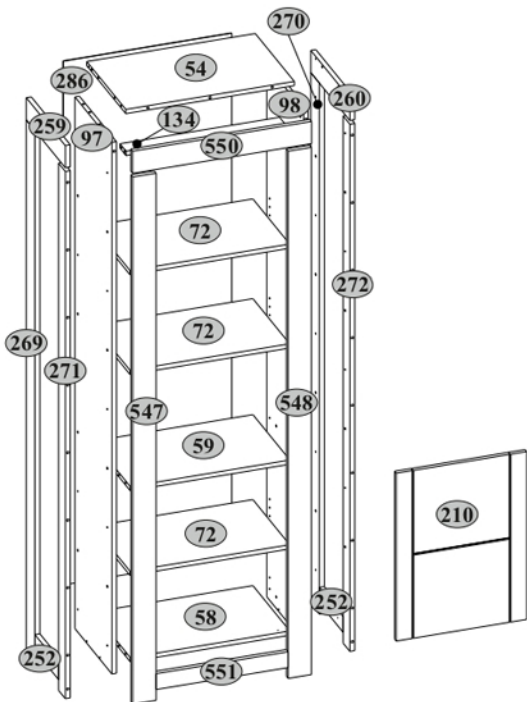
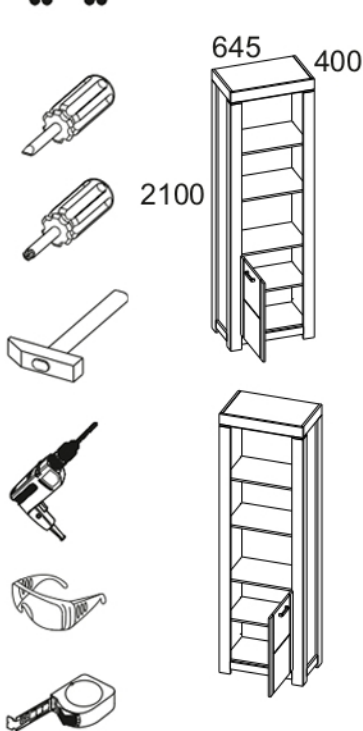
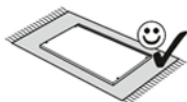
















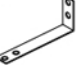




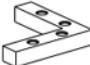


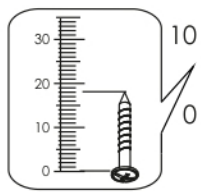
BORAS 1D



№	L, mm	B, mm	H, mm	Q	№ pack	№ pack*	№ pack**
54	607	382	16	1	1/2	1/3	1/3
58	575	362	16	1	1/2	1/3	1/3
59	575	362	16	1	1/2	1/3	1/3
72	575	362	16	3	1/2	1/3	1/3
97	2015	362	16	1	2/2	2/3	2/3
98	2015	362	16	1	2/2	2/3	2/3
134	575	60	16	1	1/2	1/3	1/3
210	636	470	16	1	1/2	1/3	1/3
211*	1239	470	16	1		3/3	
226**	1239	470	16	1			3/3
252	232	60	18	2	1/2	1/3	1/3
259	382	84	18	1	1/2	1/3	1/3
260	382	84	18	1	1/2	1/3	1/3
269	2012	84	18	1	2/2	2/3	2/3
270	2012	84	18	1	2/2	2/3	2/3
271	1998	66	18	1	2/2	2/3	2/3
272	1998	66	18	1	2/2	2/3	2/3
286	1985	607	2,5	1	2/2	2/3	2/3
547	1998	84	18	1	2/2	2/3	2/3
548	1998	84	18	1	2/2	2/3	2/3
550	645	84	18	1	1/2	1/3	1/3
551	476	60	18	1	1/2	1/3	1/3



A1  7x34 30	A2  Ø15x13 30	N1  6	P5  12	R3  3x20 16	R23  6,3x13 4(8*,8**)
C2  8x50 4	C6  8x24 16	R32  4x27 2(4*,4**)	R53  4,2x32 24	R102  3,5x16 26(30*,30**)	R105  3,5x30 8
B5  10x50 1	E16  2(4*,4**)	S1  2	S5  Ø18 4	S11  Ø8 2(4*,4**)	U  130x35x15 1
C1  8x35 29	H61  1(2*,2**)	U5  36x36 2	U21  26x26x20 6	V14  84x84x14 2	



1**A1**

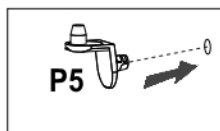
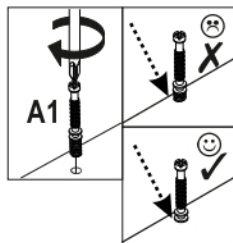
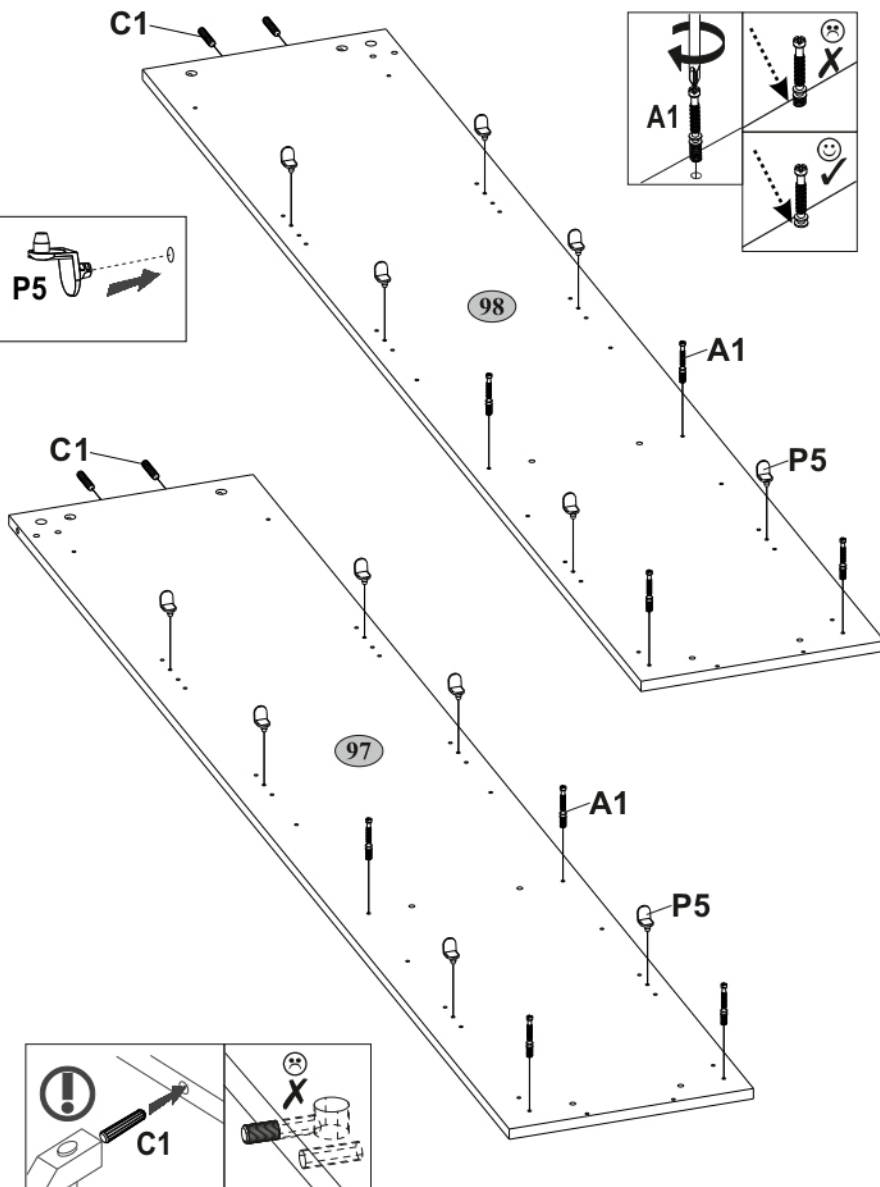
7x34

C1

8 8x35

P5

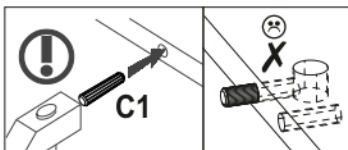
4 12

**P5****A1**

98

A1**P5**

97

A1**P5****C1**

2**A1**

7x34

C1

8x35

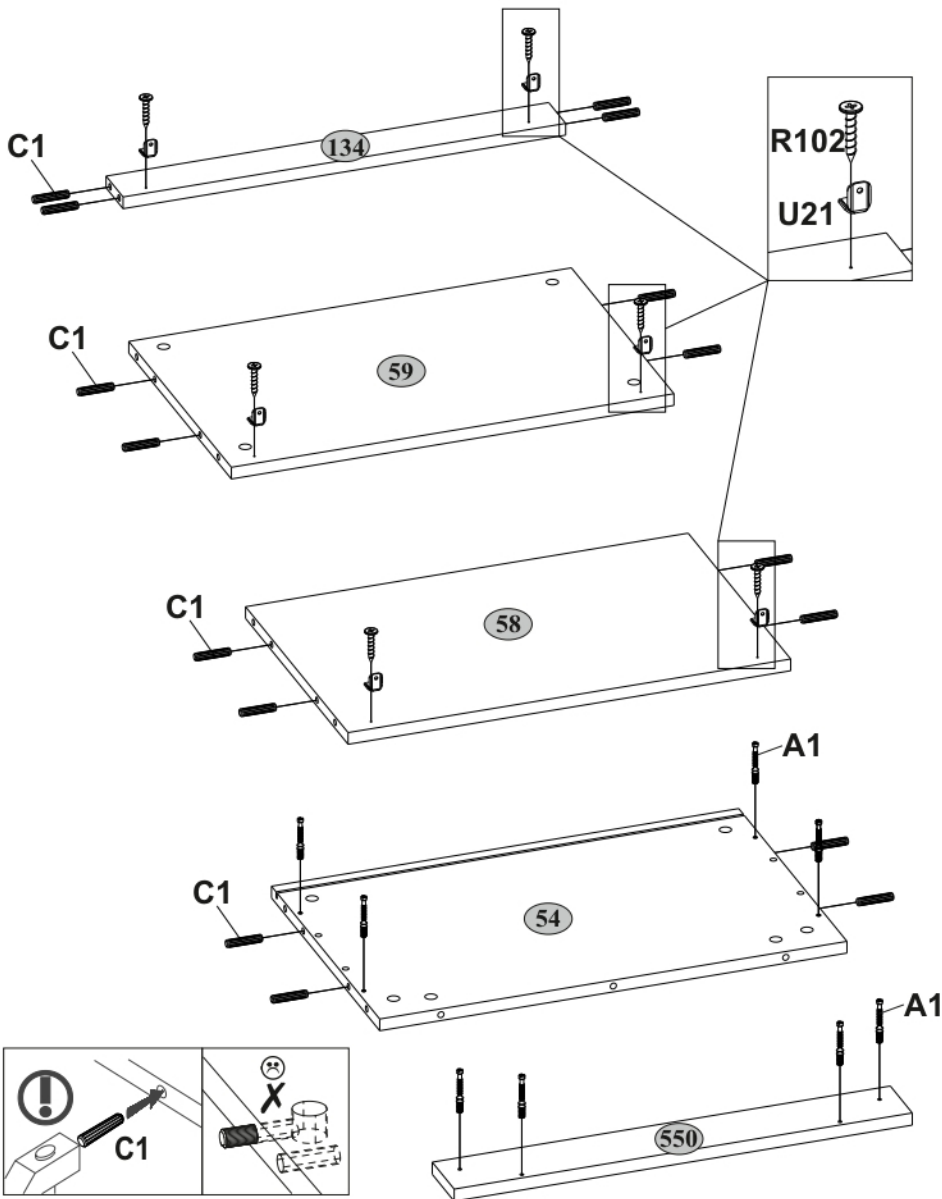
R102

3,5x16

U21

26x26x20

6



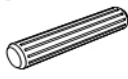
3

A1



7x34

C2



4

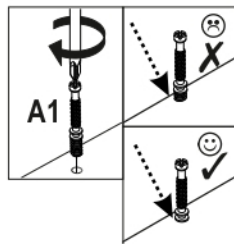
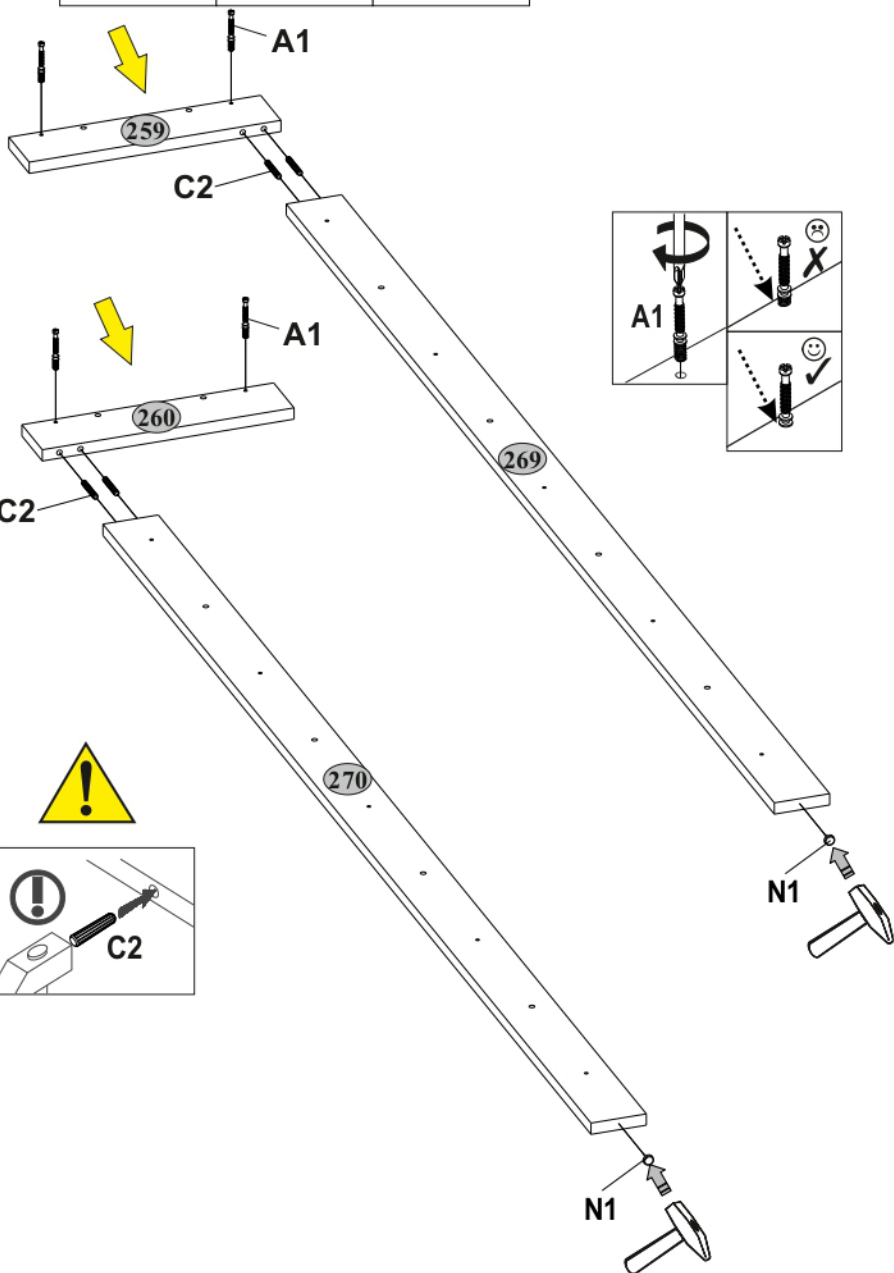
8x50

N1



4

2



4

A1



7x34

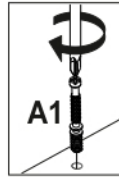
10

C1

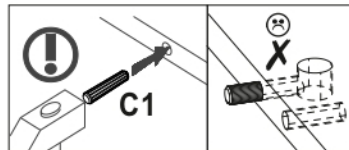
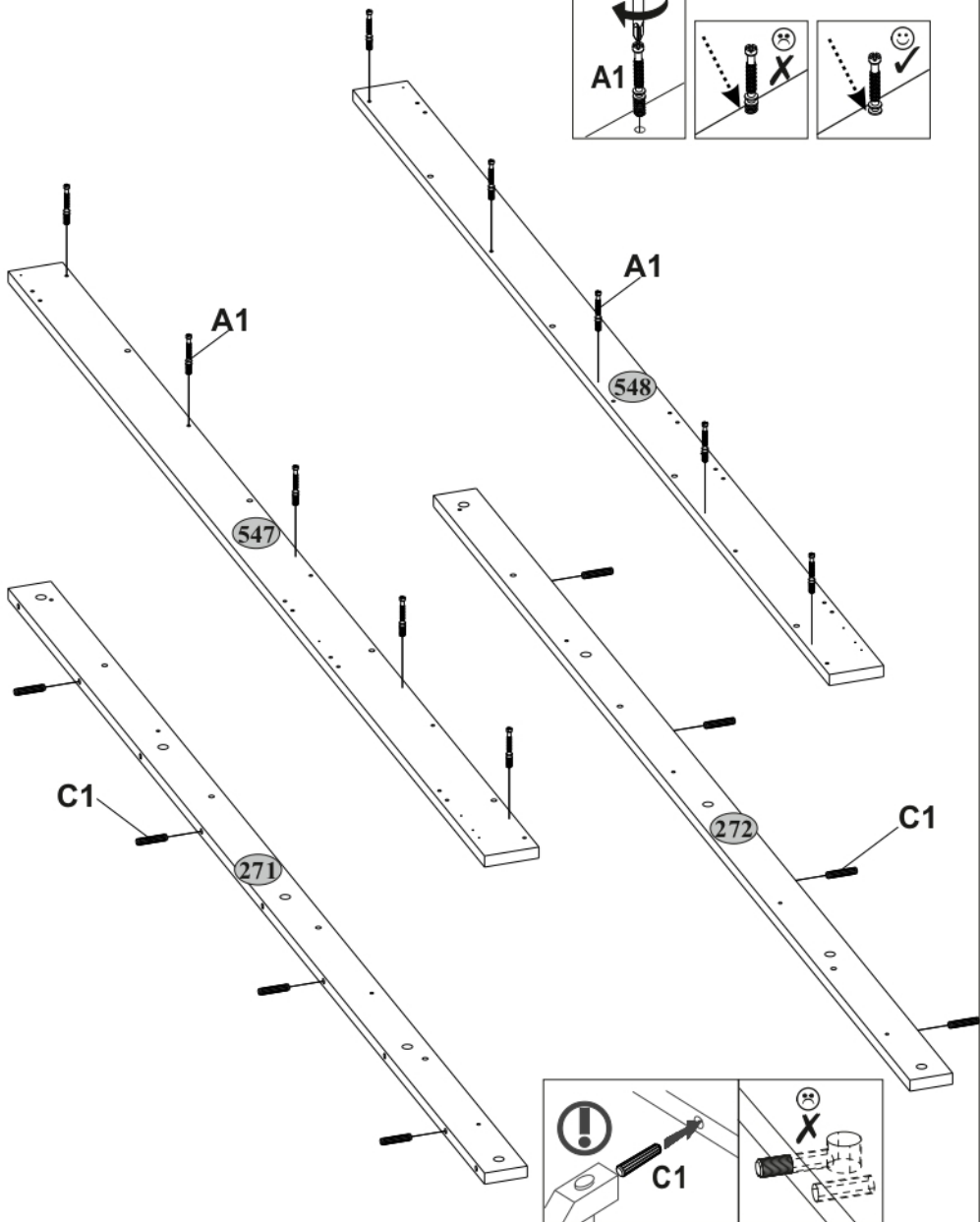
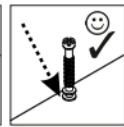


8x35

8



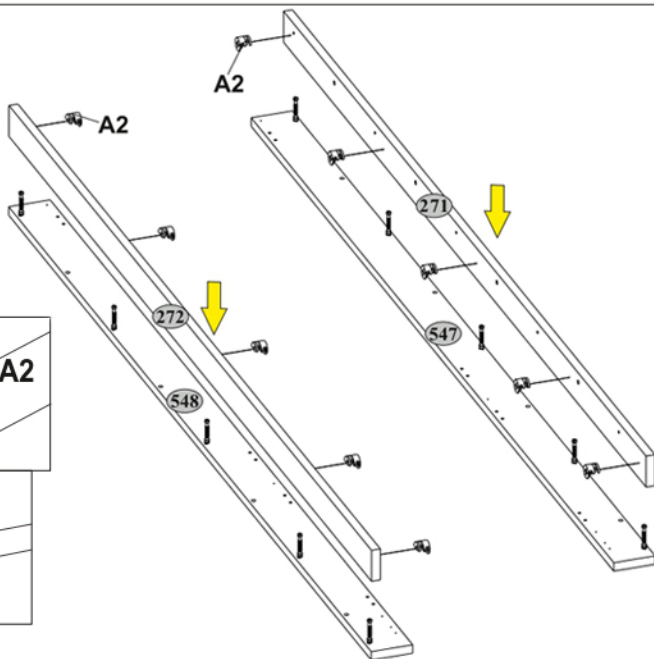
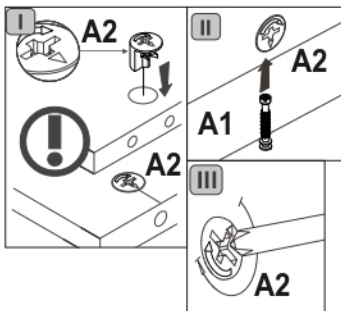
A1



C1

5**A2**

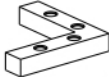
Ø15x13 10

**6****N1**

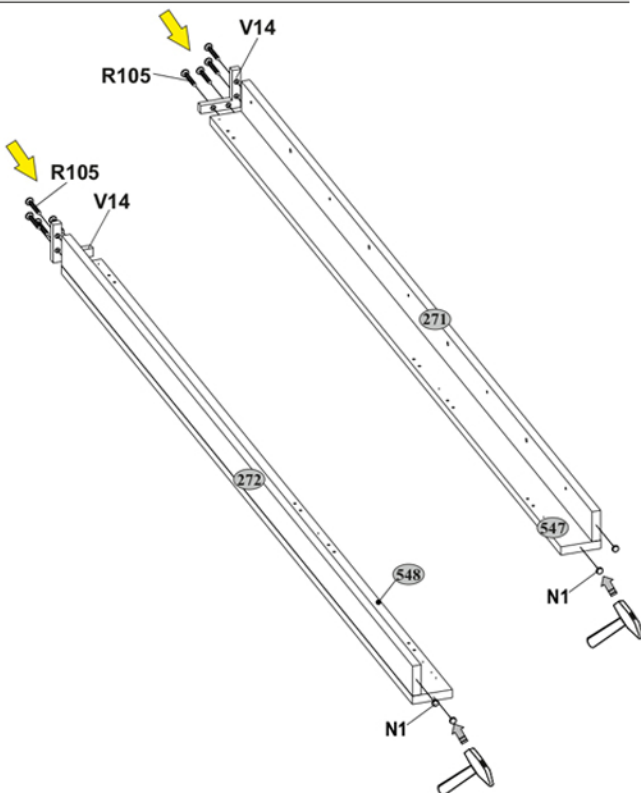
4

R105

3,5x30 8

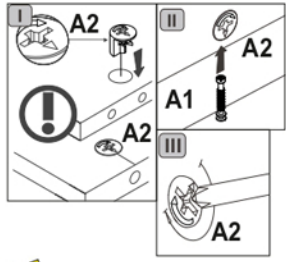
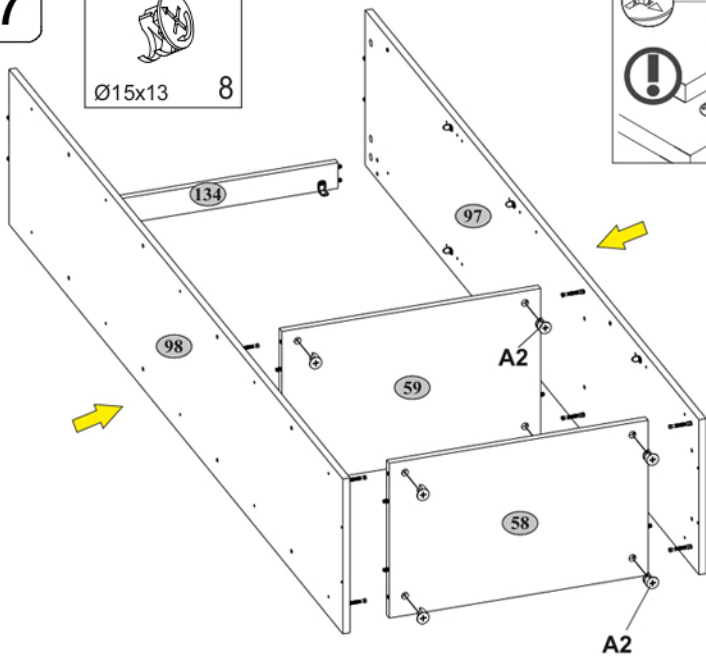
V14

84x84x14 2



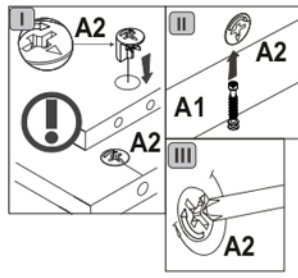
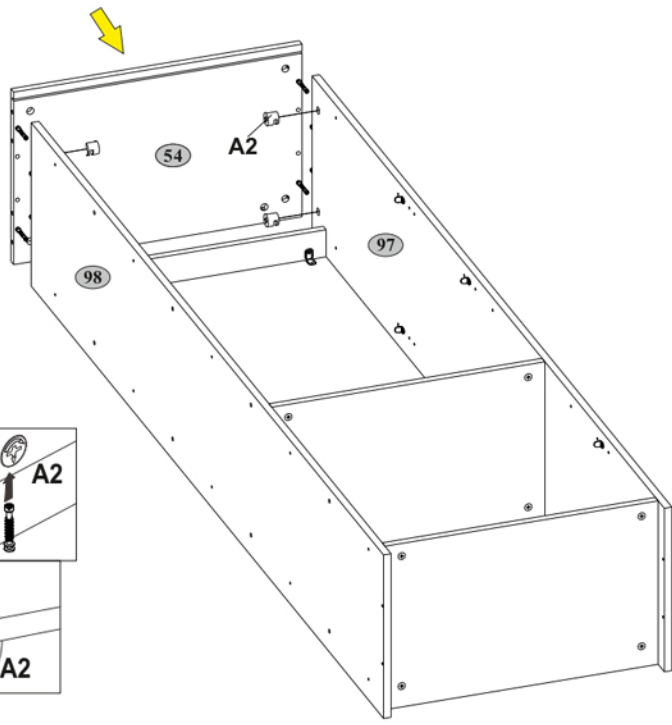
7

A2
Ø15x13 8



8

A2
Ø15x13 4



9

A2



Ø15x13

4

C6



8x24

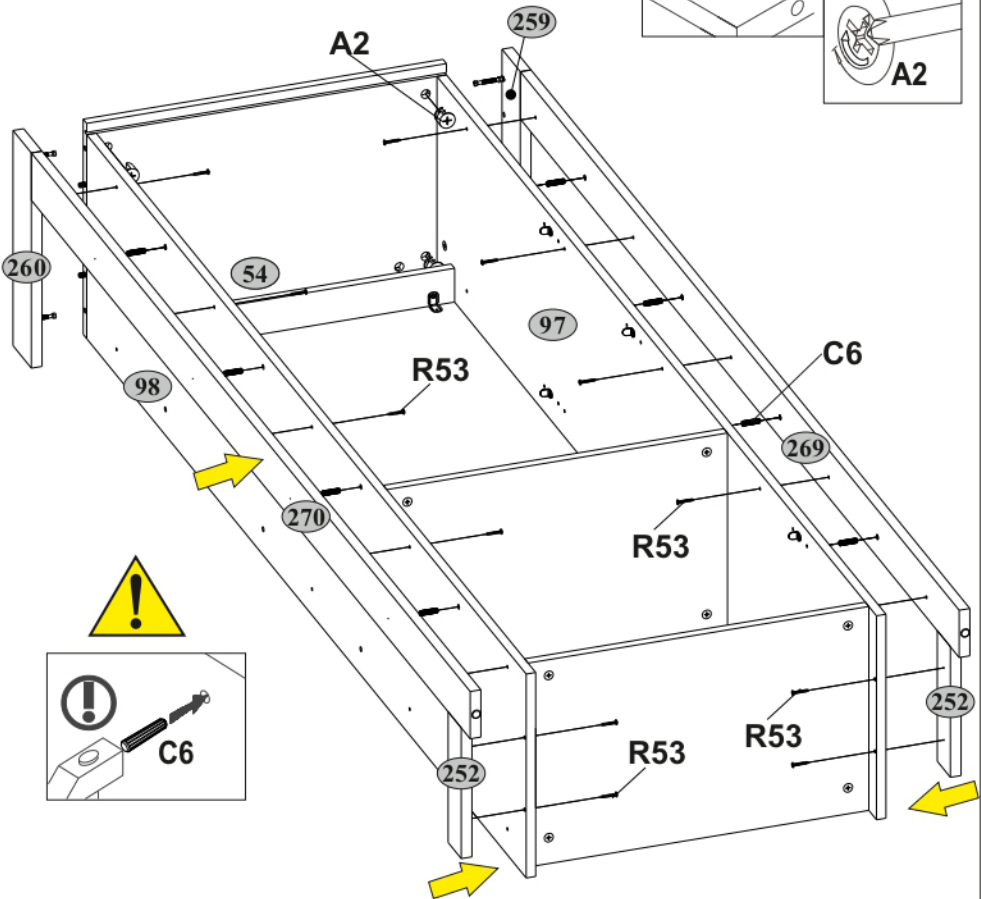
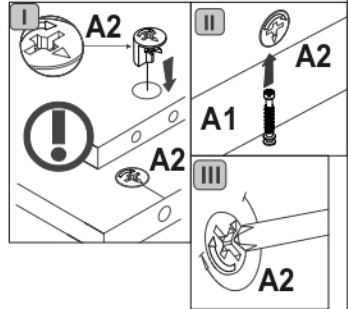
8

R53



4,2x32

14



10

R3



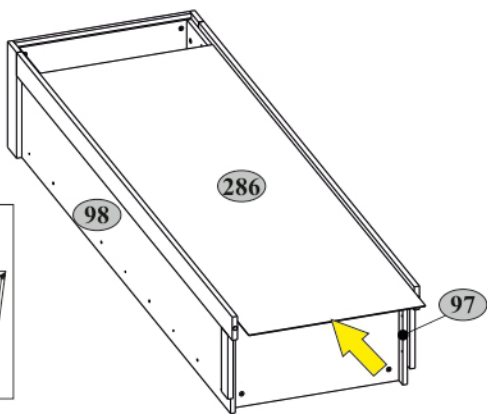
3x20

S1

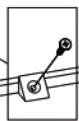
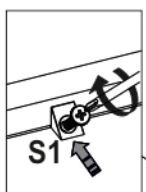


16

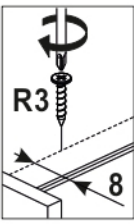
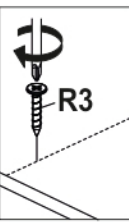
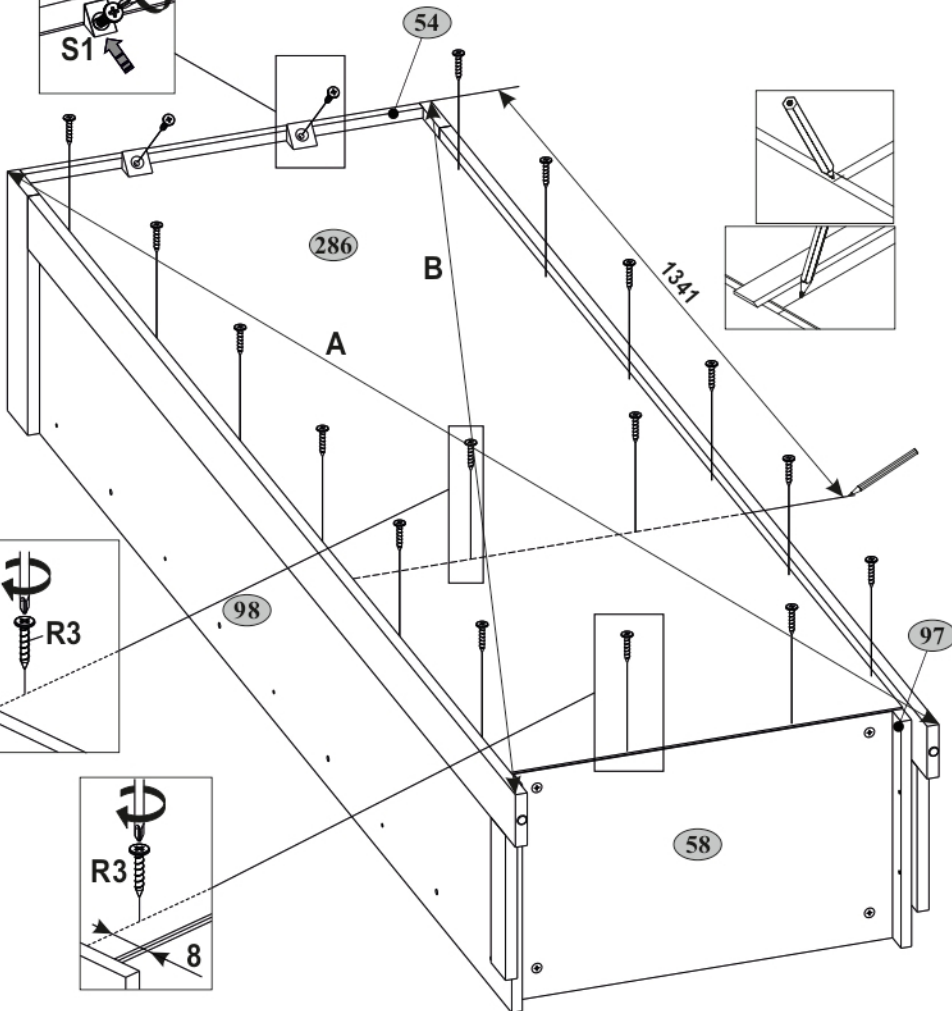
2



A=B

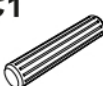


54



11**A2**

Ø15x13

C1

4 8x35

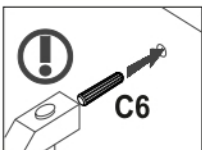
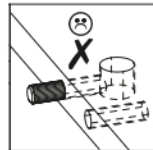
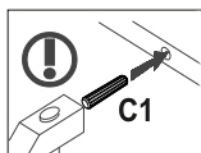
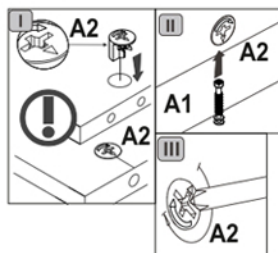
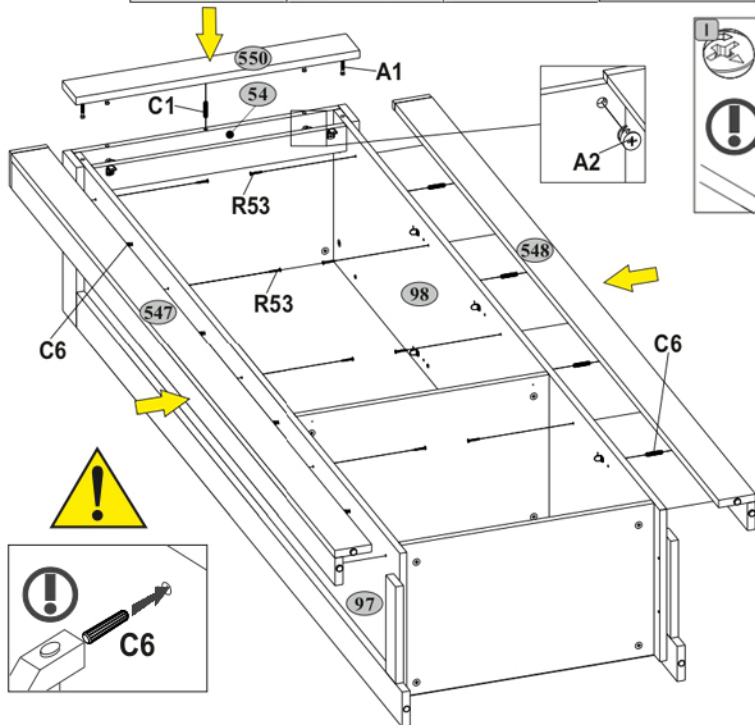
R53

1 4,2x32

C6

10 8x24

8

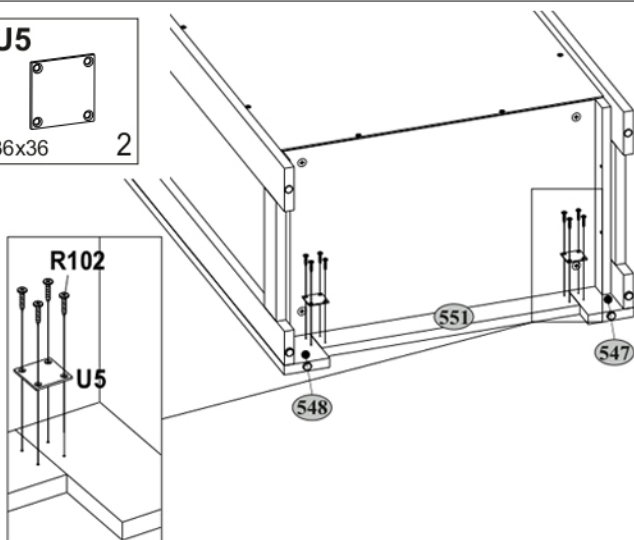
**12****R102**

3,5x16

U5

8 36x36

2



13

E16



2

H61



1

R32



4x27

R102



2

3,5x16

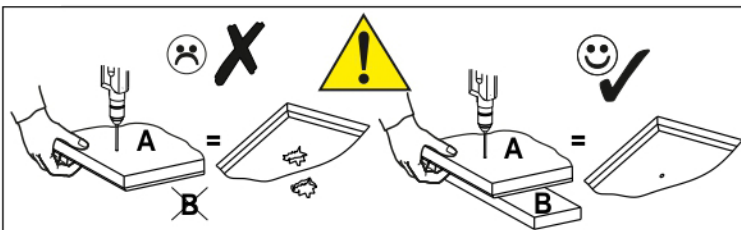
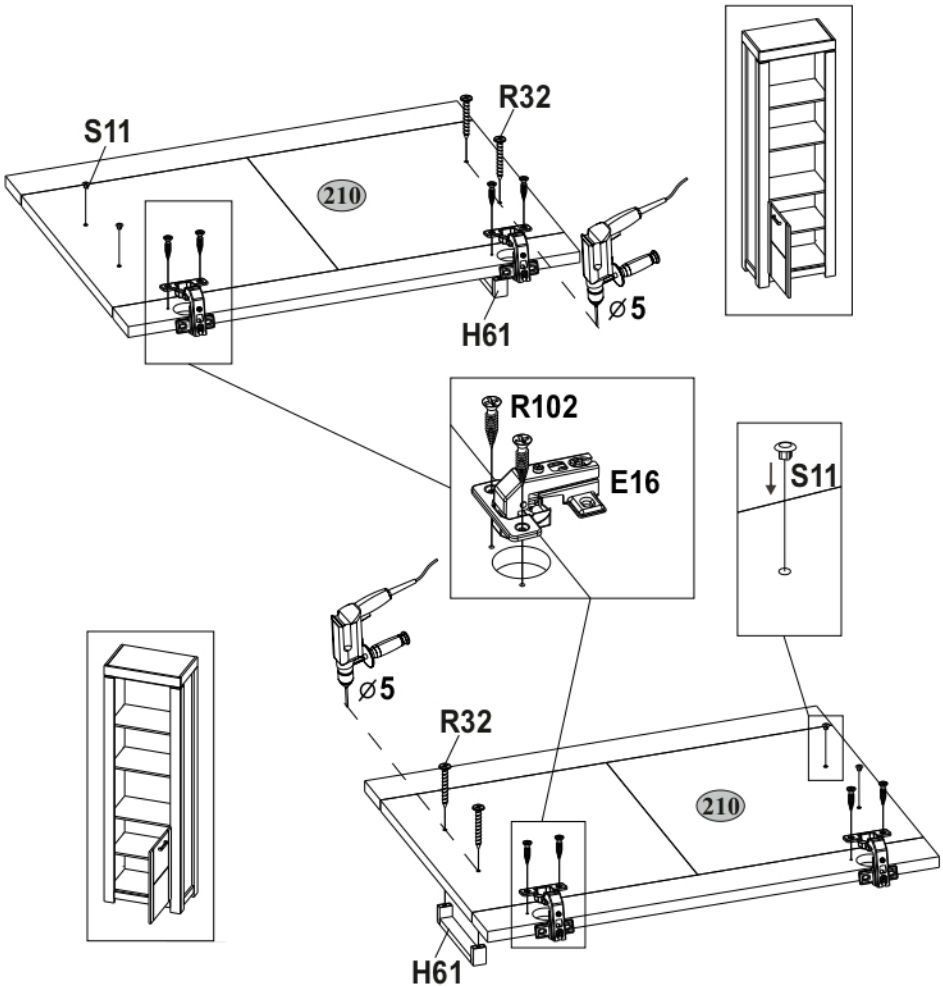
S11



4

Ø8

2



14**B5**

10x50

1

R102

3,5x16

8

S5

Ø18

U

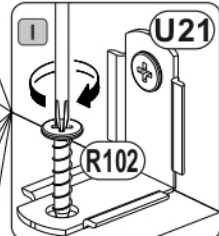
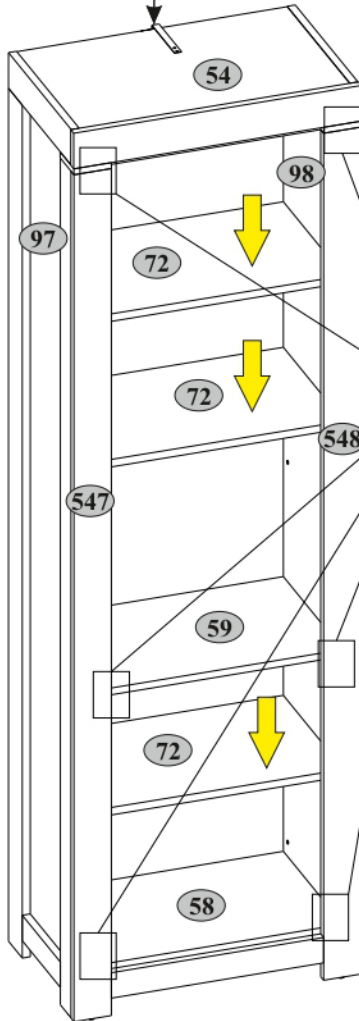
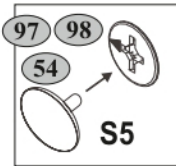
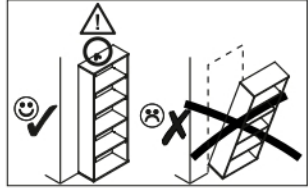
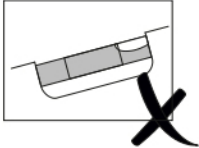
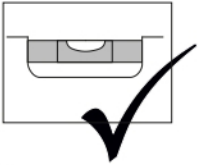
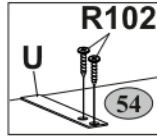
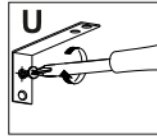
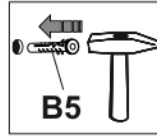
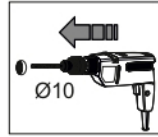
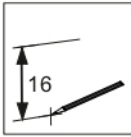
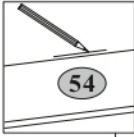
130x35x15

1

U21

26x26x20

6

**54** **72** max. 5 kg**58** **59** max. 10 kg

15

R23

6,3x13

4

